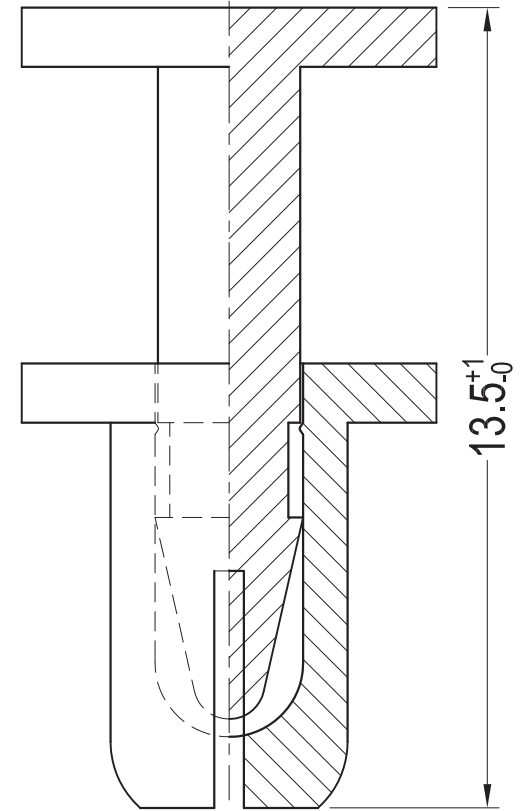


### Assembly Part



#### Notes:

1. Material: PSU UL94 HB;
  2. Color: Black;
  3. RoHS Compliant;
  4. Hole: Ø4.1-4.2mm;
- Panel Thickness: 4.0-5.0mm.

REV	DESCRIPTION	DATE	CHECK
A1	SRP4065B change GRP4065B	2022-5-17	FDL

Americom GmbH <a href="https://americom.de">https://americom.de</a>						americom Komponenten die verbinden		DATE	2022-5-17	DIMENSION	TOLERANCE
TITLE						SNAP RIVETS					
SCALE	FIT					L ≤ 4					±0.10
ARTICLE NO.	GRP4065B	MOLD NO.	S0077	DRAW	PLK	UNIT	MM	4 < L ≤ 15		±0.20	
PART NO.	20263	MATERIAL	SEE NOTES	DESIGN	PLK	VERSION	A1	15 < L ≤ 50		±0.30	
DWG NO.	E2049	COLOR	SEE NOTES	APPROVAL	FDL	VIEW			50 < L ≤ 100	±0.40	