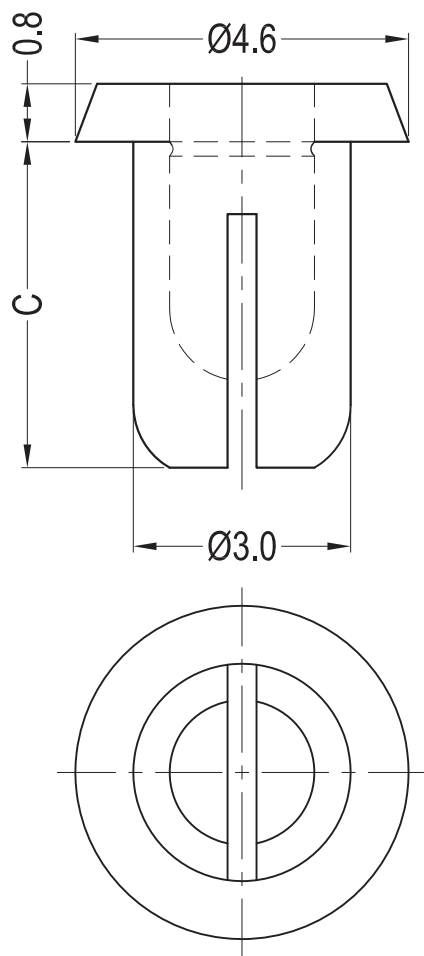
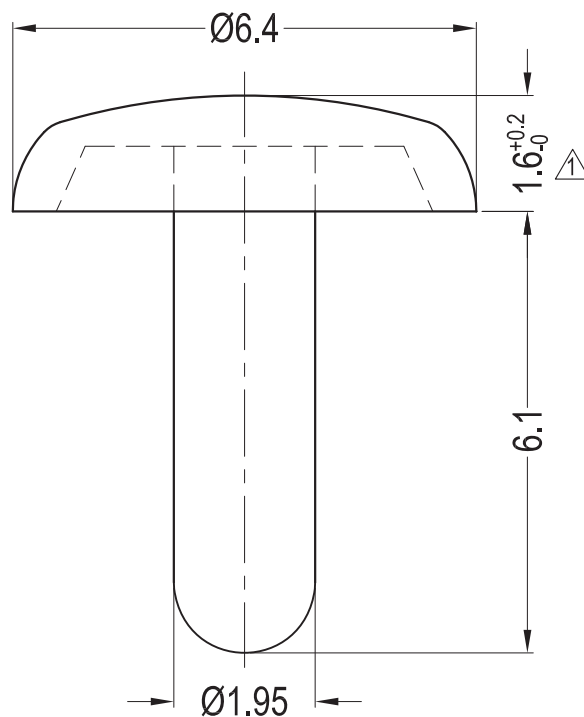


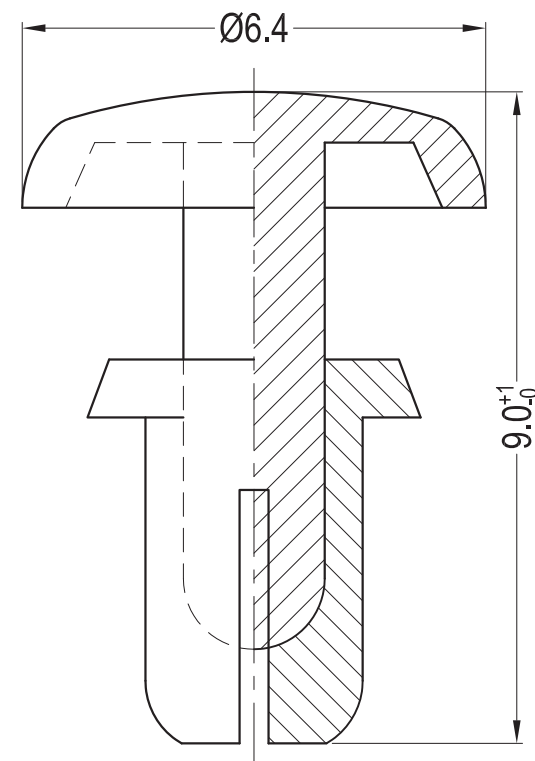
Body



Pin



Assembly Part



Notes:

1. Material: PSU UL94 HB;
2. Color: Black;
3. RoHS Compliant.

Part No.	Article No.	Hole	Panel Thickness	C
20261	GRP3045B	3.1-3.2	2.0-3.0	4.5
20262	GRP3055B		3.0-4.0	5.5

Americom GmbH

<https://americom.de>

americom
Komponenten die verbinden

DATE

2022-5-17

DIMENSION

TOLERANCE

TITLE

SNAP RIVETS

SCALE

FIT

L ≤ 4

±0.10

ARTICLE NO.

GRP30

MOLD NO.

S0073/4/5

DRAW

PLK

UNIT

MM

4 < L ≤ 15

±0.20

PART NO.

SEE TABLE

MATERIAL

SEE NOTES

DESIGN

PLK

VERSION

A1

15 < L ≤ 50

±0.30

DWG NO.

E2048

COLOR

SEE NOTES

APPROVAL

FDL

VIEW



50 < L ≤ 100

±0.40

REV	DESCRIPTION	DATE	CHECK
A1	1. $\Delta 1.6$ mm change $1.6_{0}^{+0.2}$ mm ; 2. SRP3045B change GRP3045B ; 3. SRP3055B change GRP3055B ;	2022-5-17	FDL