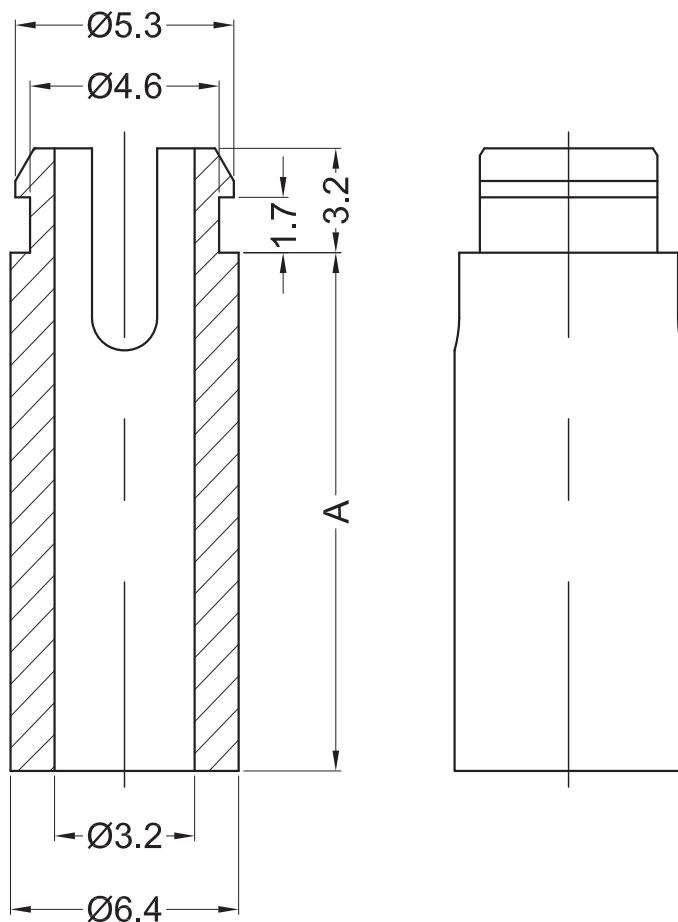


PartNo.	Part Name	PartNo.	Part Name	PartNo.	Part Name	A
41030	GSR4-2-66	41387	GSR4-2-46	41573	GSR4-2-V0	3.2
41031	GSR4-3-66	41388	GSR4-3-46	41574	GSR4-3-V0	4.8
41032	GSR4-4-66	41389	GSR4-4-46	41575	GSR4-4-V0	6.4
41033	GSR4-5-66	41390	GSR4-5-46	41576	GSR4-5-V0	7.9
41034	GSR4-6-66	41391	GSR4-6-46	41577	GSR4-6-V0	9.5
41035	GSR4-7-66	41392	GSR4-7-46	41578	GSR4-7-V0	11.1
41036	GSR4-8-66	41393	GSR4-8-46	41579	GSR4-8-V0	12.7
41037	GSR4-10-66	41394	GSR4-10-46	41580	GSR4-10-V0	15.9
41038	GSR4-12-66	41395	GSR4-12-46	41581	GSR4-12-V0	19.1
41039	GSR4-14-66	41396	GSR4-14-46	41582	GSR4-14-V0	22.2
41040	GSR4-16-66	41397	GSR4-16-46	41583	GSR4-16-V0	25.4
Material: PA66 UL94 V2 Color: Natural		Material: PA46 UL94 V2 Color: Red		Material: PA66 UL94 V0 Color: Natural		



- Notes:
- 1.RoHS Compliant;
  - 2.Hole:  $\varnothing 4.7 \pm 0.08\text{mm}$ ,  
Panel Thickness: 1.57mm;
  - 3.For #4(M3) Screw.

Americom GmbH  
<https://americom.de>

**americom**  
 Komponenten die verbinden

DATE 2017-4-21 DIMENSION TOLERANCE

TITLE	SELF-RETAINING SPACER					SCALE	FIT	L ≤ 4	±0.10
PART NAME	GSR4	MOLD NO.	S0312	DRAW	PLK	UNIT	MM	4 < L ≤ 15	±0.20
PART NO.	SEE TABLE	MATERIAL	SEE TABLE	DESIGN	PLK	VERSION	A0	15 < L ≤ 50	±0.30
DWG NO.	E4097	COLOR	SEE TABLE	APPROVAL	FDL	VIEW		50 < L ≤ 100	±0.40