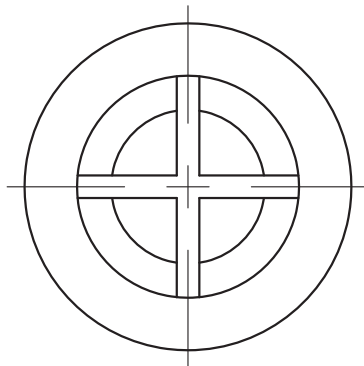
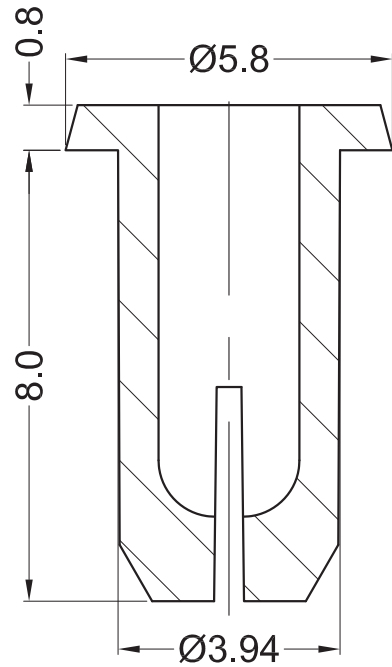
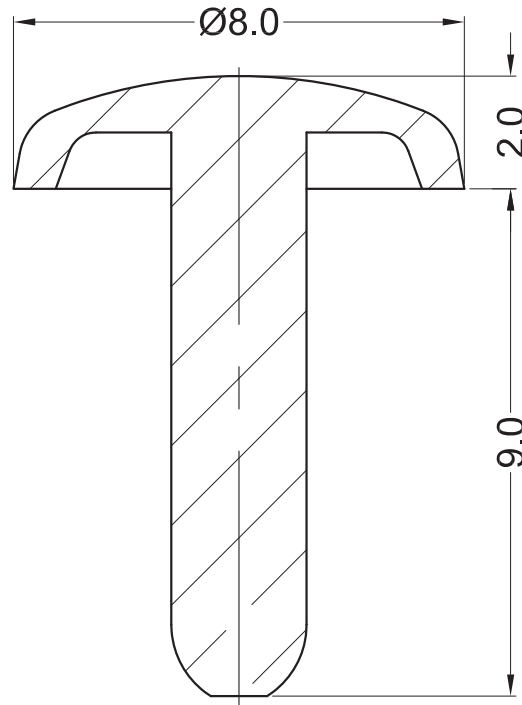


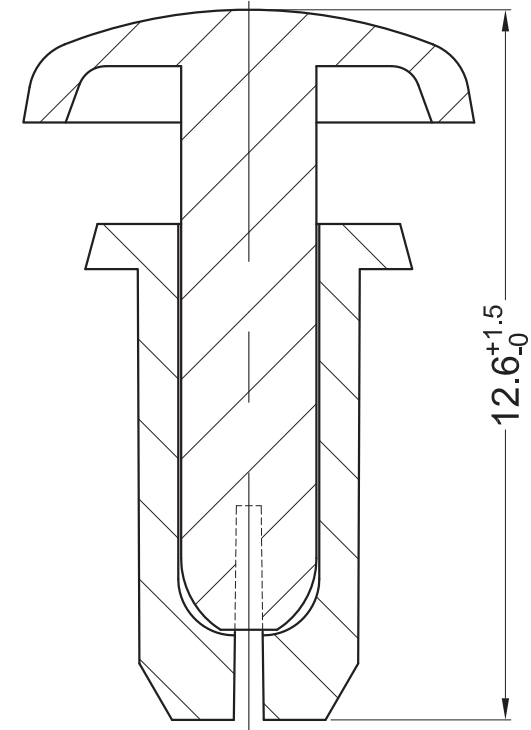
Body



Pin



Assembly Part



Notes:

1. Material: PA6 UL94V2;
2. Color: Black;
3. RoHS Compliant;
4. Hole: $\text{Ø}4.1\text{-}4.2\text{mm}$;
Panel Thickness: $5.5\text{-}6.5\text{mm}$;

Americom GmbH
<https://americom.de>

americom
 Komponenten die verbinden

DATE	2014-9-24	DIMENSION	$L \leq 4$	TOLERANCE	± 0.10
SCALE	FIT	$L \leq 4$	± 0.10		
UNIT	MM	$4 < L \leq 15$	± 0.20		
VERSION	A0	$15 < L \leq 50$	± 0.30		
VIEW		$50 < L \leq 100$	± 0.40		

Americom GmbH						DATE		DIMENSION	TOLERANCE
SNAP RIVETS						SCALE		$L \leq 4$	± 0.10
PART NAME	GR104800B	MOLD NO.	S0070/71/72/254	DRAW	JF	UNIT	MM	$4 < L \leq 15$	± 0.20
PART NO.	20260	MATERIAL	SEE NOTES	DESIGN	JF	VERSION	A0	$15 < L \leq 50$	± 0.30
DWG NO.	E2047	COLOR	SEE NOTES	APPROVAL	FDL	VIEW		$50 < L \leq 100$	± 0.40