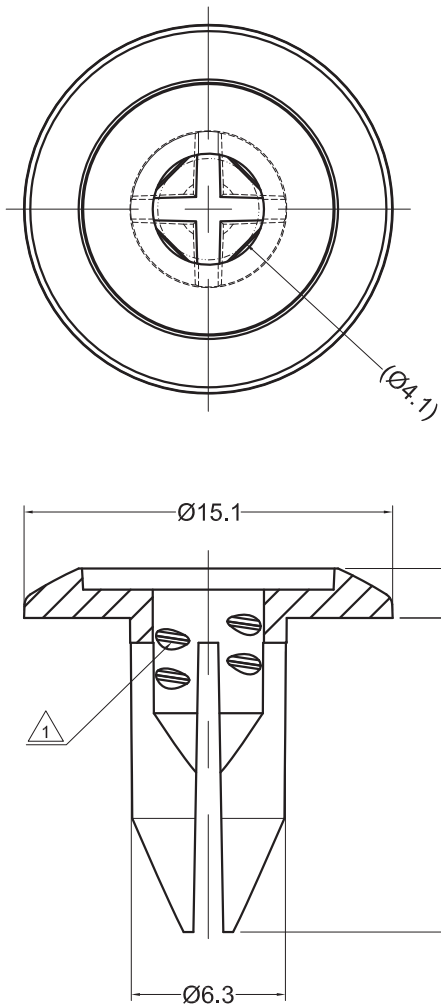
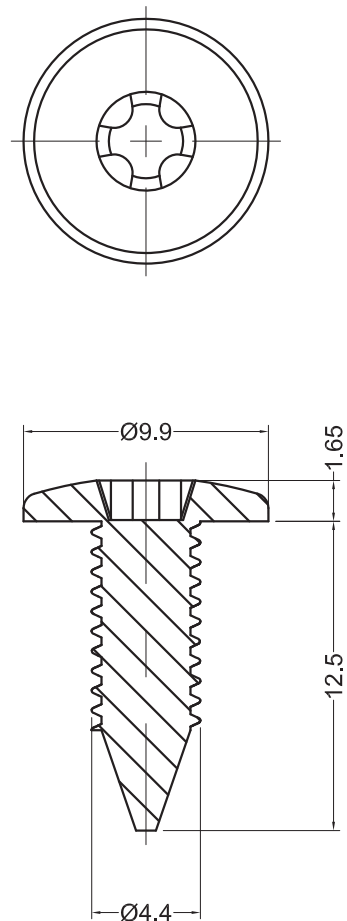


Body

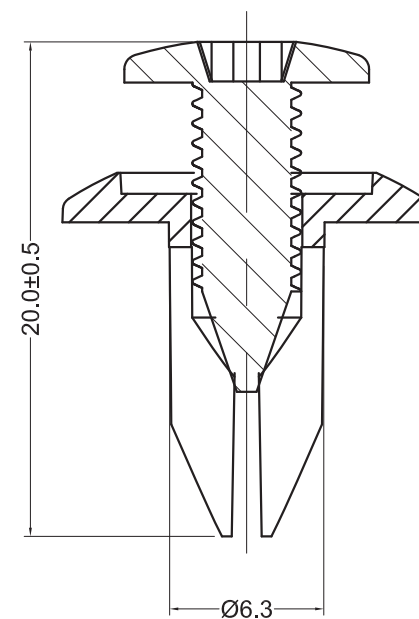


Pin



| REV | DESCRIPTION | DATE | CHECK |
|-----|--|----------|-------|
| A1 | ⚠ Modify the size of Under-Cut to improve the assembly | 2019-4-1 | FDL |

Assembly Part



Notes:

1. Material: PA6 UL94 V2;
2. RoHS Compliant;
3. Hole: $\text{Ø}6.4 \pm 0.08\text{mm}$
Panel Thickness: 3.2-4.4mm

Americom GmbH
<https://americom.de>

americom
 Komponenten die verbinden

| Americom GmbH https://americom.de | | | | | | DATE | 2021-9-26 | DIMENSION | TOLERANCE |
|--------------------------------------|--------------|----------|-------------|----------|-----|---------|-----------|-------------------|------------|
| TITLE | SCREW RIVETS | | | | | SCALE | FIT | $L \leq 4$ | ± 0.10 |
| ARTICLE NO. | GUSR64125 | MOLD NO. | S1076/S1077 | DRAW | PLK | UNIT | MM | $4 < L \leq 15$ | ± 0.20 |
| PART NO. | 21351 | MATERIAL | SEE NOTES | DESIGN | PLK | VERSION | A1 | $15 < L \leq 50$ | ± 0.30 |
| DWG NO. | E2313 | COLOR | BLACK | APPROVAL | FDL | VIEW | | $50 < L \leq 100$ | ± 0.40 |