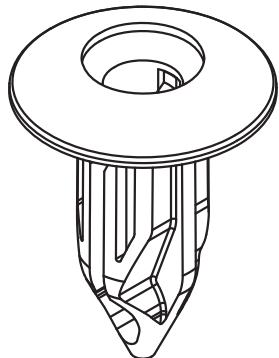
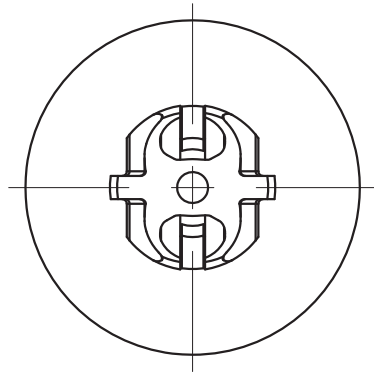
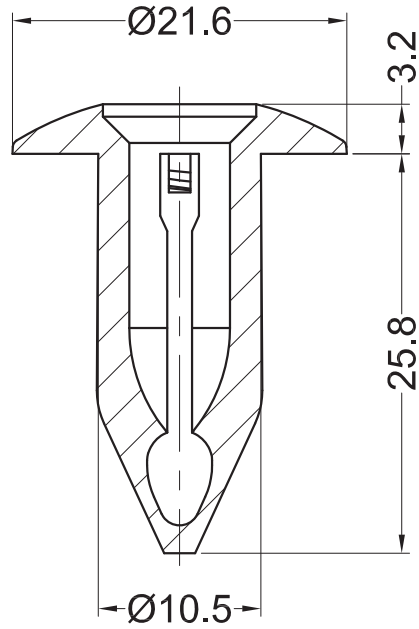
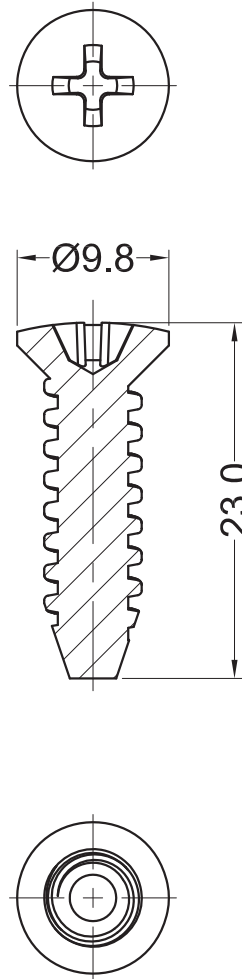


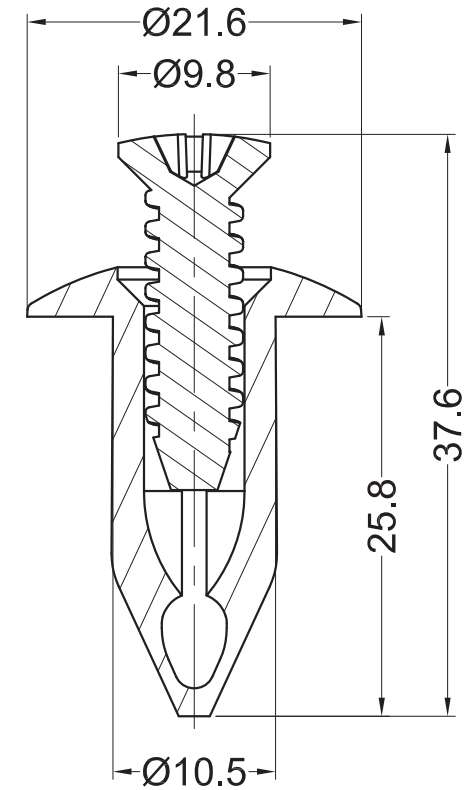
Body



Pin



Assembly Part



Notes:

1. RoHS Compliant;
2. Hole: $\text{Ø}10.8 \pm 0.08\text{mm}$;
Panel Thickness: 6.0-11.0mm.

Americom GmbH https://americom.de						americom Komponenten die verbinden		DATE	2021-6-21	DIMENSION	TOLERANCE
TITLE	SCREW RIVETS					SCALE	FIT	$L \leq 4$		± 0.10	
ARTICLE NO.	GA1126B	MOLD NO.	/	DRAW	JF	UNIT	MM	$4 < L \leq 15$		± 0.20	
PART NO.	21361	MATERIAL	PA6 UL94V2	DESIGN	JF	VERSION	A0	$15 < L \leq 50$		± 0.30	
DWG NO.	E2359	COLOR	BLACK	APPROVAL	FDL	VIEW		$50 < L \leq 100$		± 0.40	