

Notes:  
RoHS Compliant

Part No.	Article No.	A	B	C	D	E	L	Material	Color	Fig.
60373	GWHC-125-01	1.3	8.5	5.8	3.2	4.0	19.5	PA66 UL94 V2	Natural	1
60946	GWHC-125-01B							Black		
60903	GWHC-125-19							PA66 UL94 V0	Natural	
60966	GWHC-125-19B							Black		
60618	GWHC-250-01	1.5	10.3	6.4	6.4	21.8	PA66 UL94 V2	Natural		
60908	GWHC-250-01B						Black			
60678	GWHC-250-19						PA66 UL94 V0	Natural		
60967	GWHC-250-19B						Black			
60420	GWHC-375-01	1.3	10.2	4.8	9.5	21.1	PA66 UL94 V2	Natural		
60968	GWHC-375-01B						Black			
60899	GWHC-375-19						PA66 UL94 V0	Natural		
60969	GWHC-375-19B						Black			
60337	GWHC-500-01	1.8	10.2	6.4	12.5	29.4	PA66 UL94 V2	Natural		
60442	GWHC-500-01B						Black			
60905	GWHC-500-19						PA66 UL94 V0	Natural		
60904	GWHC-500-19B						Black			
60443	GWHC-625-01	2.0	12.7	4.8	15.9	28.6	PA66 UL94 V2	Natural		
60444	GWHC-625-01B						Black			
60906	GWHC-625-19						PA66 UL94 V0	Natural		
60907	GWHC-625-19B						Black			
60663	GWHC-750-01	2.2	12.7	4.8	19.1	32.5	PA66 UL94 V2	Natural		
60970	GWHC-750-01B						Black			
60900	GWHC-750-19						PA66 UL94 V0	Natural		
60973	GWHC-750-19B						Black			
60664	GWHC-1000-01	2.2	12.7	4.8	25.4	38.9	PA66 UL94 V2	Natural		
60971	GWHC-1000-01B						Black			
60901	GWHC-1000-19						PA66 UL94 V0	Natural		
60974	GWHC-1000-19B						Black			
60665	GWHC-1500-01	2.5	12.7	4.8	38.1	53.9	PA66 UL94 V2	Natural		
60972	GWHC-1500-01B						Black			
60902	GWHC-1500-19						PA66 UL94 V0	Natural		
60975	GWHC-1500-19B						Black			

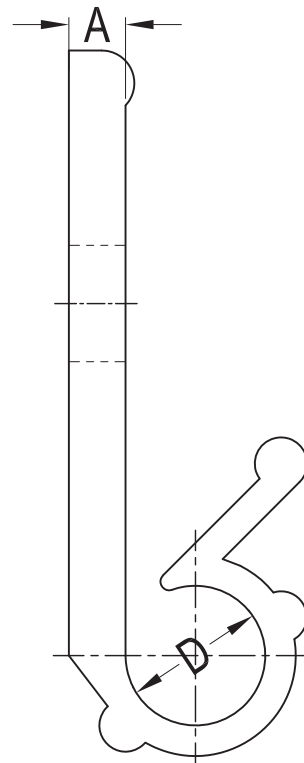


Fig.1

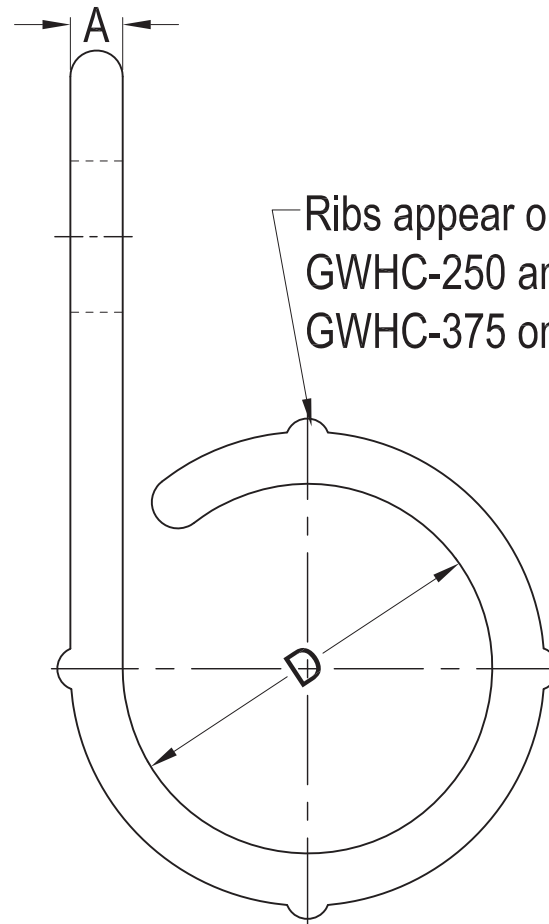
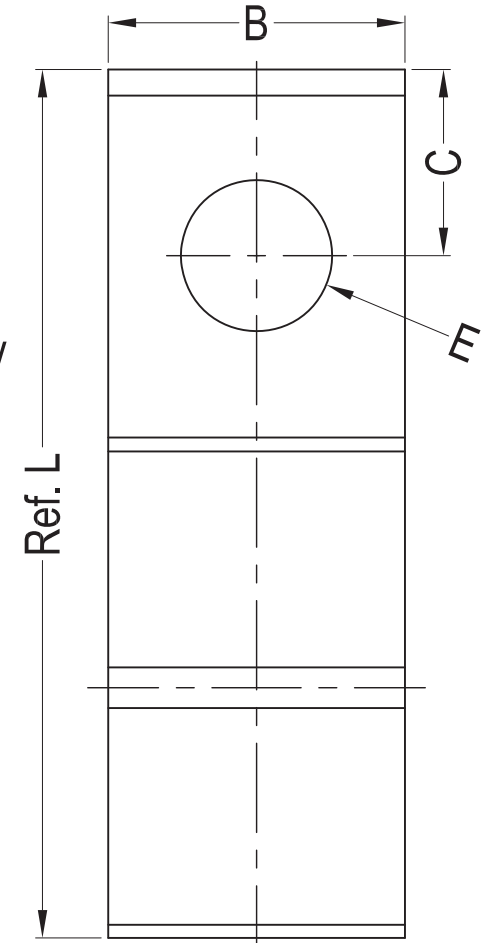


Fig.2



Americom GmbH <a href="https://americom.de">https://americom.de</a>						americom Komponenten die verbinden		DATE	2021-12-6	DIMENSION	TOLERANCE
TITLE						CABLE CLAMP		SCALE	FIT	L ≤ 4	±0.10
ARTICLE NO.	GWHC	MOLD NO.	S0536/591/610/727	DRAW	JF	UNIT	MM	4 < L ≤ 15		±0.20	
PART NO.	SEE TABLE	MATERIAL	SEE TABLE	DESIGN	JF	VERSION	A0	15 < L ≤ 50		±0.30	
DWG NO.	E6123	COLOR	SEE TABLE	APPROVAL	FDL	VIEW		50 < L ≤ 100		±0.40	