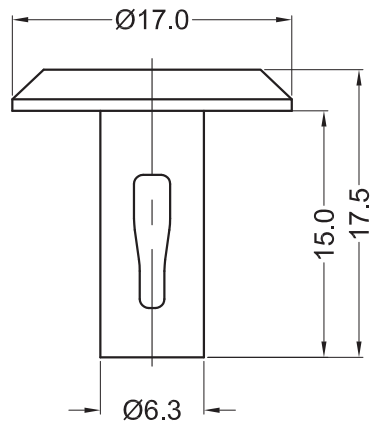
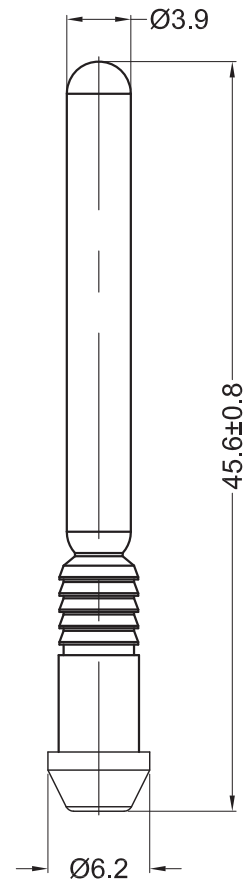


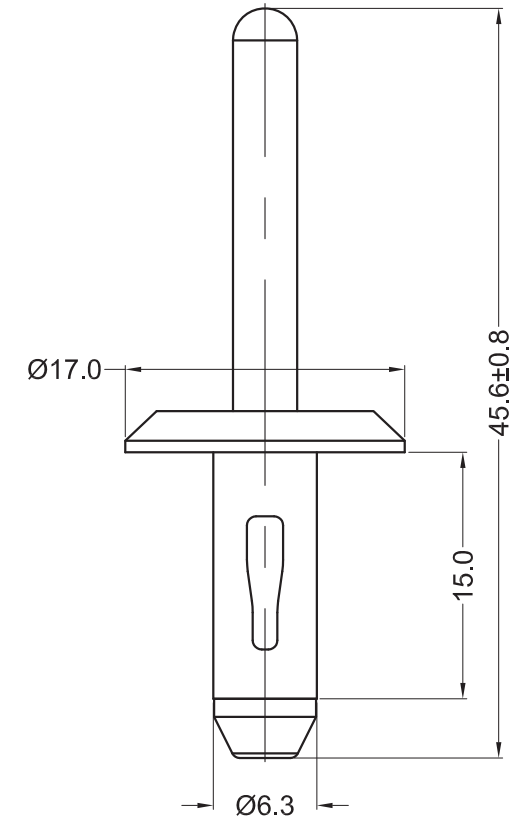
## Body



## Pin



## Assembly Part



### Notes:

1. Material: PA6 UL94V2 (Body)  
POM UL94HB (Pin);
2. Color: Black;
3. RoHS Compliant;
4. Hole:  $\text{Ø}6.4^{+0.1}_0$  mm;  
Panel Thickness: 4.0-6.0 mm;

Americom GmbH  
<https://americom.de>

**americom**  
Komponenten die verbinden

Americom GmbH <a href="https://americom.de">https://americom.de</a>						DATE	2021-9-13	DIMENSION		TOLERANCE	
TITLE	BLIND RIVETS					SCALE	FIT	$L \leq 4$	$\pm 0.10$		
ARTICLE NO.	G4907293E	MOLD NO.	S0665/666	DRAW	JF	UNIT	MM	$4 < L \leq 15$	$\pm 0.20$		
PART NO.	20708	MATERIAL	SEE NOTES	DESIGN	JF	VERSION	A0	$15 < L \leq 50$	$\pm 0.30$		
DWG NO.	E2243	COLOR	SEE NOTES	APPROVAL	FDL	VIEW		$50 < L \leq 100$	$\pm 0.40$		