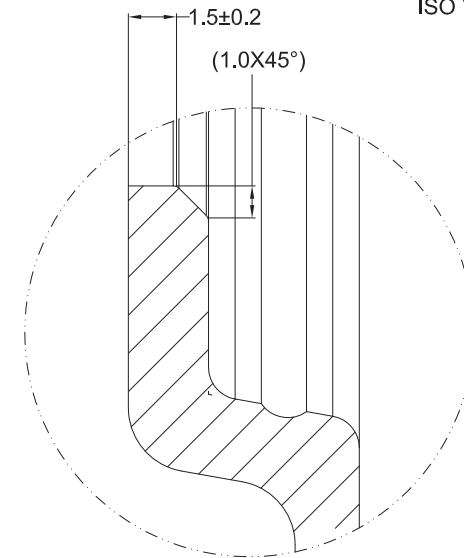


ISO VIEW



DETAIL B
SCALE 5:1

Notes:

1. Material: PA66 UL94HB
2. Color: Gray
3. RoHS Compliant

Americom GmbH https://americom.de						americom Komponenten die verbinden		DATE	2020-3-10	DIMENSION	TOLERANCE
TITLE	DISTANCE WASHER					SCALE	FIT	L ≤ 4	±0.10		
ARTICLE NO.	G3336008	MOLD NO.	S1158	DRAW	PLK	UNIT	MM	4 < L ≤ 15	±0.20		
PART NO.	10091	MATERIAL	SEE NOTES	DESIGN	PLK	VERSION	A0	15 < L ≤ 50	±0.30		
DWG NO.	E1095	COLOR	SEE NOTES	APPROVAL	FDL	VIEW		50 < L ≤ 100	±0.40		