

# FEMALE

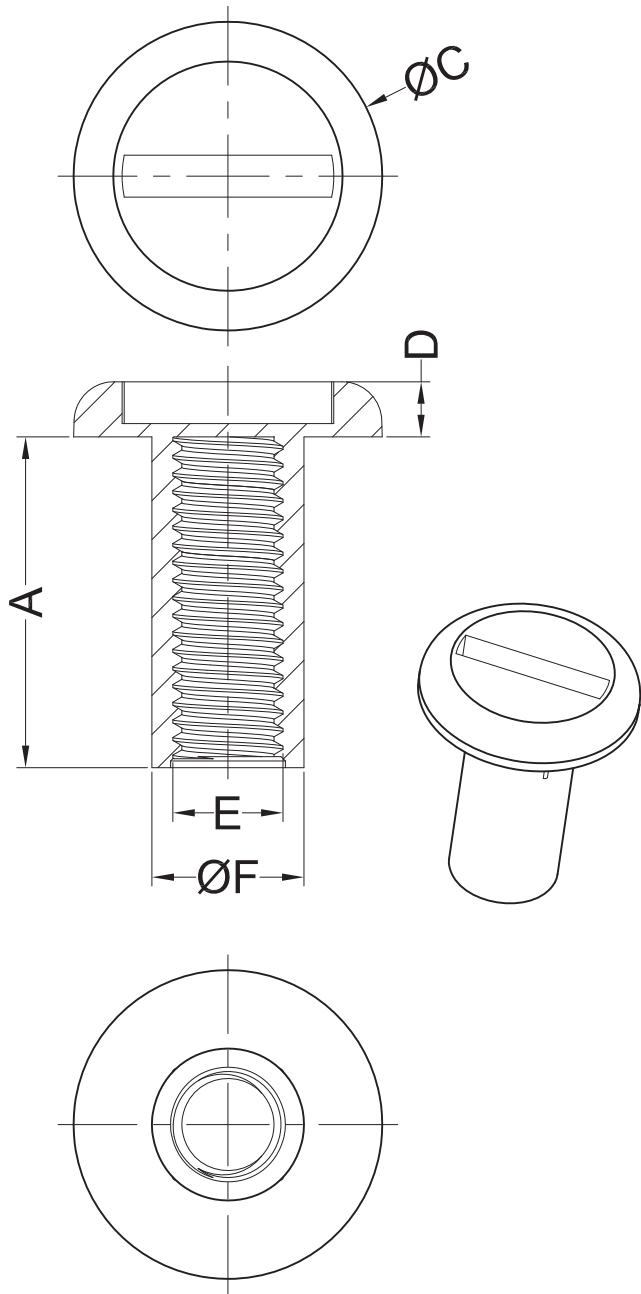


Fig.1

# MALE

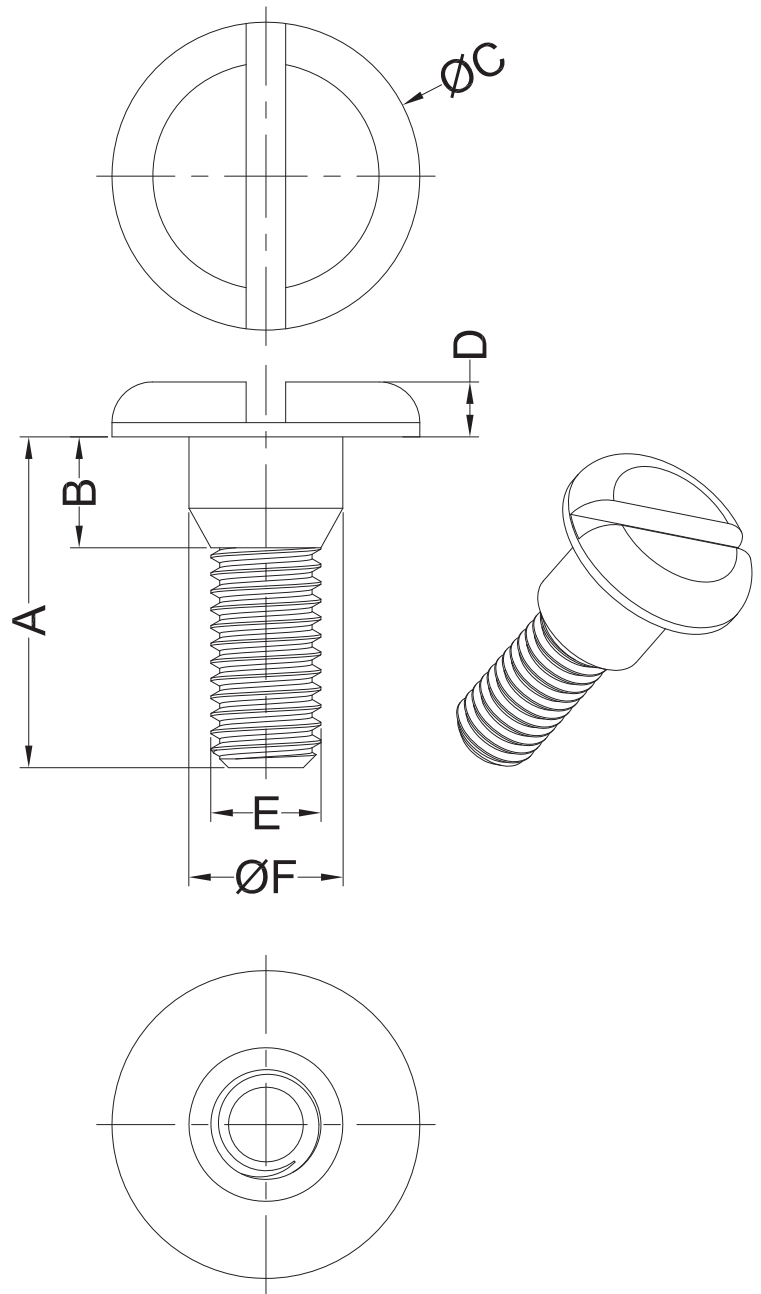


Fig.2

**Notes:**

1. Material: PA66 UL94V2;
2. RoHS Compliant.

Part No.	Article No.	A	B	C	D	E	F	Color
50548	G082 0410 113 01	10.0	/	12.0	2.5	M4	/	White
50733	G082 0410 114 01	10.0	/	14.0	2.5	M5	/	Black
50706	G082 0510 113 01	10.0	/	14.0	2.5	M5	/	White
50707	G082 0510 114 01	10.0	/	14.0	2.5	M5	/	Black
50708	G082 0515 113 01	15.0	5.0	14.0	2.5	M5	7.0	White
50709	G082 0515 114 01	15.0	5.0	14.0	2.5	M5	7.0	Black
50710	G082 0520 113 01	20.0	10.0	14.0	2.5	M5	7.0	White
50711	G082 0520 114 01	20.0	10.0	14.0	2.5	M5	7.0	Black
50712	G082 0526 113 01	25.0	15.0	14.0	2.5	M5	7.0	White
50713	G082 0526 114 01	25.0	15.0	14.0	2.5	M5	7.0	Black

Part No.	Article No.	A	C	D	E	F	Color
50723	G081 0415 113 01	15.0	12.0	2.2	M4	6.0	White
50724	G081 0415 114 01						Black
50725	G081 0510 113 01	10.0	14.0	2.5	M5	7.0	White
50726	G081 0510 114 01						Black

Americom GmbH  
<https://americom.de>



DATE

2021-7-19

DIMENSION

TOLERANCE

TITLE

BOOK SCREWS

SCALE

FIT

L ≤ 4

±0.10

ARTICLE NO.	G081/G082	MOLD NO.	S1101/S1148/S1150	DRAW	JF	UNIT	MM	4 < L ≤ 15	±0.20
PART NO.	SEE TABLE	MATERIAL	SEE NOTES	DESIGN	JF	VERSION	A0	15 < L ≤ 50	±0.30
DWG NO.	E5059-M	COLOR	SEE TABLE	APPROVAL	FDL	VIEW		50 < L ≤ 100	±0.40