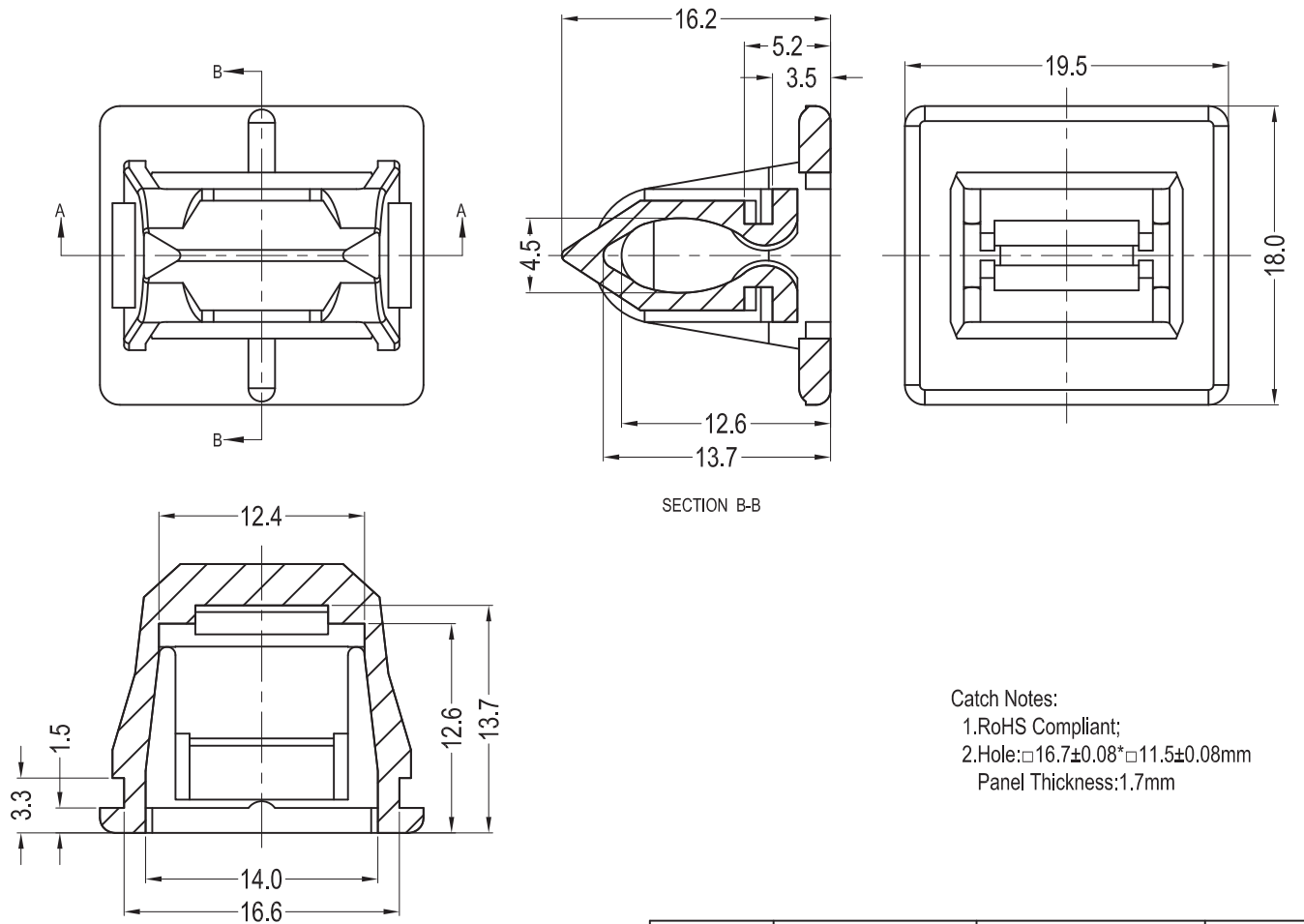


Plastic Striker Notes:  
 1.RoHS Compliant;  
 2.Hole:  $\square 7.0 \pm 0.08^* \square 7.0 \pm 0.08$ mm  
 Panel Thickness: 1.0mm



Catch Notes:  
 1.RoHS Compliant;  
 2.Hole:  $\square 16.7 \pm 0.08^* \square 11.5 \pm 0.08$ mm  
 Panel Thickness: 1.7mm

Part No.	Article No.	Material	Color
20566	GCS-515-P	PA66 UL94 V2	Black
20835	GCS-515-PN		Natural

Americom GmbH https://americom.de						americom Komponenten die verbinden		DATE	2021-9-28	DIMENSION	TOLERANCE
TITLE	CATCH AND STRIKER						SCALE	FIT	L ≤ 4	± 0.10	
ARTICLE NO.	GCS-515	MOLD NO.	S0217/8	DRAW	JF	UNIT	MM	4 < L ≤ 15	± 0.20		
PART NO.	SEE TABLE	MATERIAL	SEE TABLE	DESIGN	JF	VERSION	A0	15 < L ≤ 50	± 0.30		
DWG NO.	E2114	COLOR	SEE TABLE	APPROVAL	FDL	VIEW		50 < L ≤ 100	± 0.40		

Part No.	Article No.	Material	Color
20565	GCS-515-2	POM UL94 HB	Black
20834	GCS-515-2N		Natural