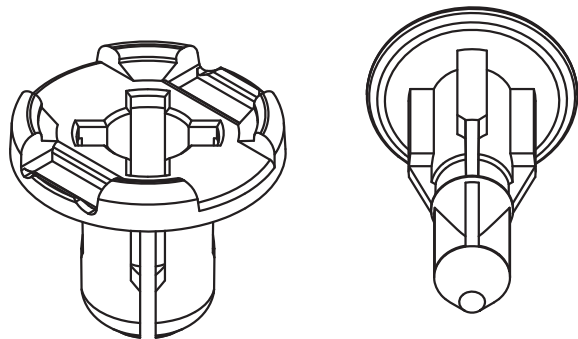
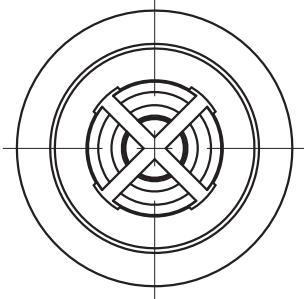
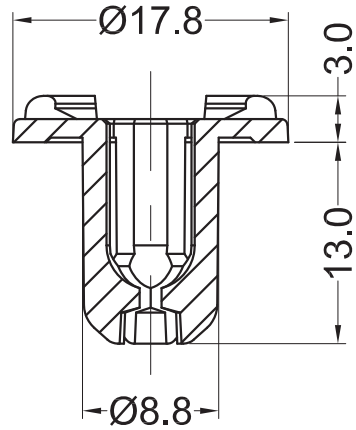
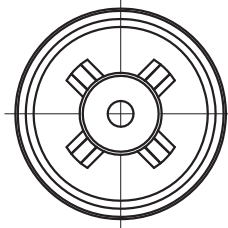
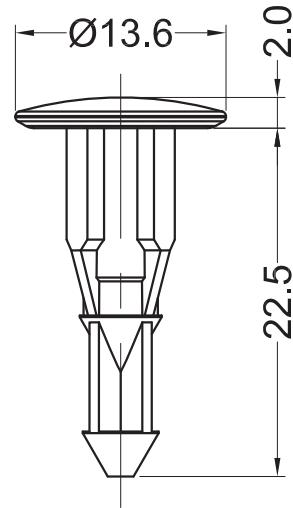


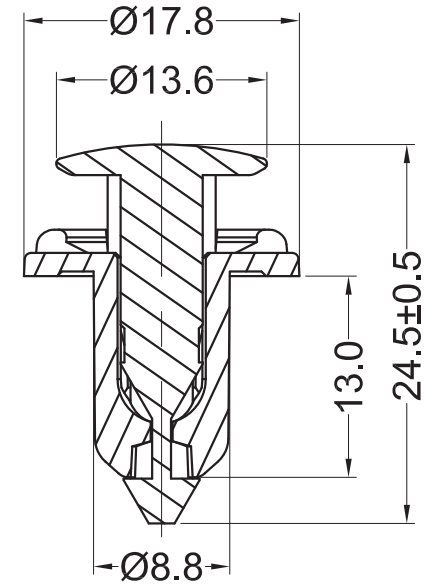
Body



Pin


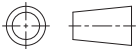


Assembly Part



Notes:

1. RoHS Compliant;
2. Hole: $\text{Ø}8.9\pm0.08\text{mm}$;
Panel Thickness: 4.0-7.0mm.

Americom GmbH https://americom.de						 Komponenten die verbinden		DATE	2021-2-4	DIMENSION	TOLERANCE
TITLE	PUSH LOCK RIVETS					SCALE	FIT	$L \leq 4$	± 0.10		
ARTICLE NO.	GA8813B	MOLD NO.	/	DRAW	JF	UNIT	MM	$4 < L \leq 15$	± 0.20		
PART NO.	10053	MATERIAL	POM UL94HB	DESIGN	JF	VERSION	A0	$15 < L \leq 50$	± 0.30		
DWG NO.	E1102	COLOR	BLACK	APPROVAL	FDL	VIEW		$50 < L \leq 100$	± 0.40		