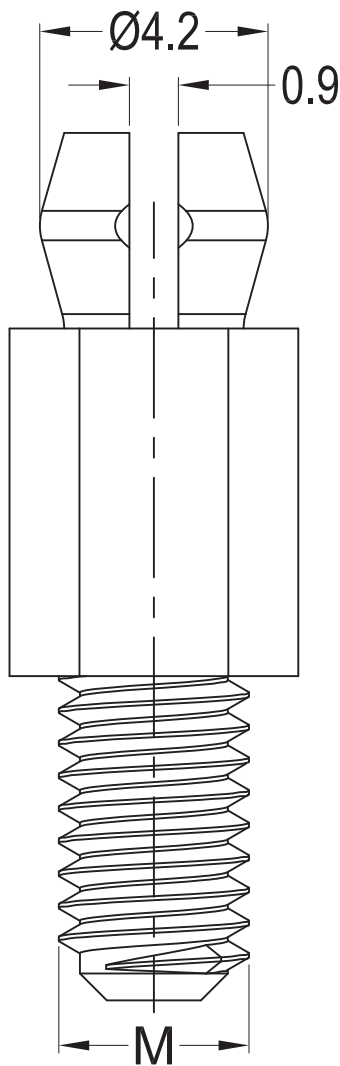
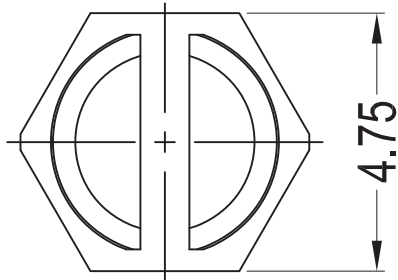
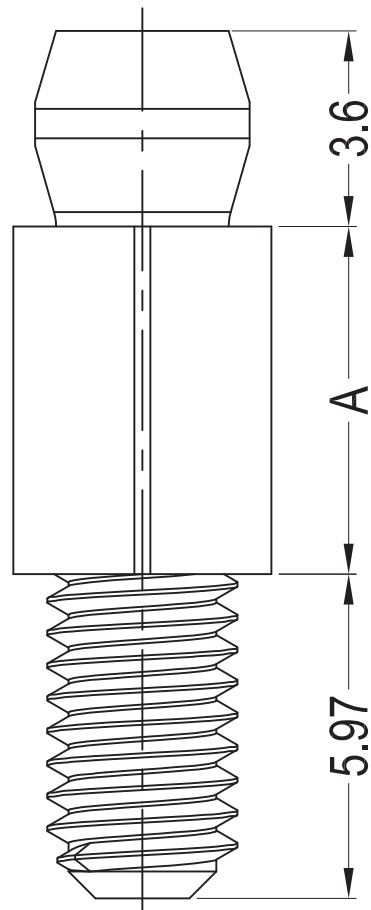


Part No.	Article No.	M	A
42707	GSCBS2-M3-2-66	M3	3.2
42708	GSCBS2-M3-3-66		4.8
42709	GSCBS2-M3-4-66		6.4
42710	GSCBS2-M3-6-66		9.5
42711	GSCBS2-M3-8-66		12.7
42712	GSCBS2-M3-10-66		15.9
42713	GSCBS2-M3-12-66		19.1
42714	GSCBS2-M3-14-66		22.2



Notes:

1. Material: PA66 UL94 V2;
2. Color: Natural;
3. Male Torques:  $\geq 0.13$  N·m;
4. RoHS Compliant;
5. Top Hole:  $\text{Ø}4.0 \pm 0.08$  mm; Panel Thickness: 1.57 mm



Americom GmbH  
<https://americom.de>



DATE

2020-5-29

DIMENSION

TOLERANCE

TITLE

HEX MINI SUPPORT POST THREADED

SCALE

FIT

$L \leq 4$

$\pm 0.10$

ARTICLE NO.

GSCBS2

MOLD NO.

S0554

DRAW

JF

UNIT

MM

$4 < L \leq 15$

$\pm 0.20$

PART NO.

SEE TABLE

MATERIAL

SEE NOTES

DESIGN

JF

VERSION

A0

$15 < L \leq 50$

$\pm 0.30$

DWG NO.

E4303

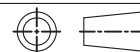
COLOR

SEE NOTES

APPROVAL

FDL

VIEW



$50 < L \leq 100$

$\pm 0.40$