

Fig.1

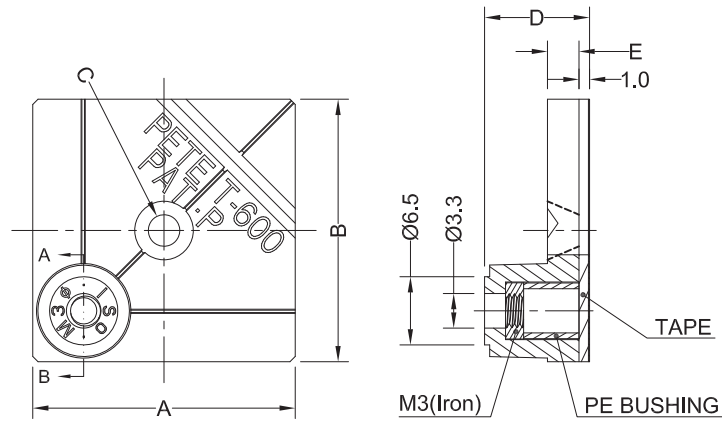


Fig.2

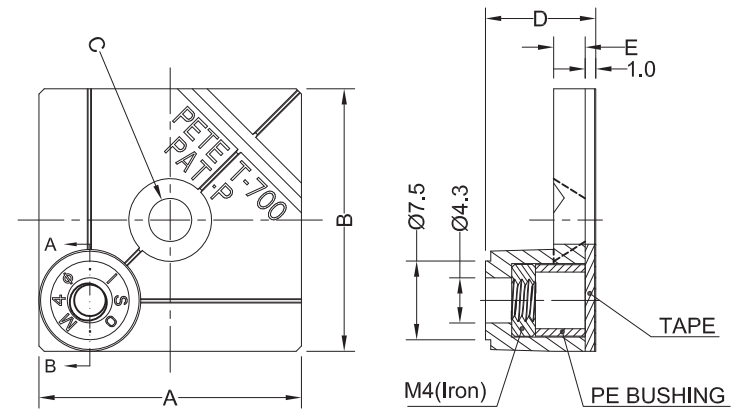


Fig.3

Part No.	Article No.	Material	Color	A	B	C	D	E	Screw	Screw Material	Surface	Tape	PE Bushing	Fig.
43574	GT-125	ABS UL94HB	Black	12.2	12.2	3.0	5.0	1.2	M3	Brass	/	12.0*12.0*1.0	/	1
43576	GT-600	ABS UL94HB	Black	25.0	25.0	3.0	10.0	3.0	M3	Iron	Trivalent Chromium Chromate Plating	25.0*23.5*1.0	Ø5.3*Ø4.2*5.0	2
43577	GT-700	ABS UL94HB	Milky	25.0	25.0	4.1	10.5	3.0	M4	Iron	Trivalent Chromium Chromate Plating	25.0*24.0*1.0	Ø6.8*Ø5.5*4.5	3

Americom GmbH https://americom.de								DATE	2021-07-29	DIMENSION	TOLERANCE
TITLE	PCB Holder On Adhesive Base						SCALE	FIT	L ≤ 4	±0.10	
ARTICLE NO.	GT	MOLD NO.	/	DRAW	PLK	UNIT	MM	4 < L ≤ 15	±0.20		
PART NO.	SEE TABLE	MATERIAL	SEE NOTES	DESIGN	PLK	VERSION	A0	15 < L ≤ 50	±0.30		
DWG NO.	E4382	COLOR	SEE NOTES	APPROVAL	FDL	VIEW		50 < L ≤ 100	±0.40		

Notes:

1.RoHS Compliant