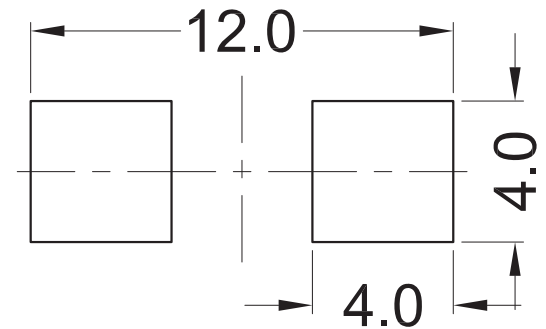
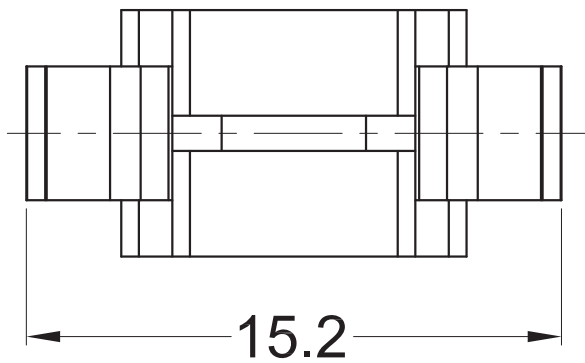


Hole



Hole Tolerance: ± 0.08



Notes:

1. Material: PA66 UL94V2;
2. Color: Natural;
3. RoHS Compliant;
4. Max cable width 6.35mm;
5. Panel Thickness: 1.0-1.2mm;

Americom GmbH
<https://americom.de>



DATE 2015-7-3 DIMENSION TOLERANCE

TITLE	FLAT CABLE CLAMP					SCALE	FIT	L \leq 4	± 0.10
PART NAME	GFCCE-9-01	MOLD NO.	S0861	DRAW	JF	UNIT	MM	4 < L \leq 15	± 0.20
PART NO.	60791	MATERIAL	SEE NOTES	DESIGN	JF	VERSION	A0	15 < L \leq 50	± 0.30
DWG NO.	E6244	COLOR	SEE NOTES	APPROVAL	FDL	VIEW		50 < L \leq 100	± 0.40